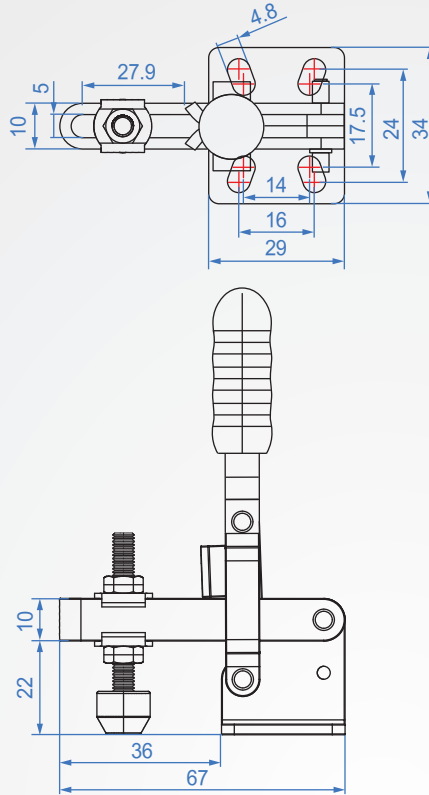
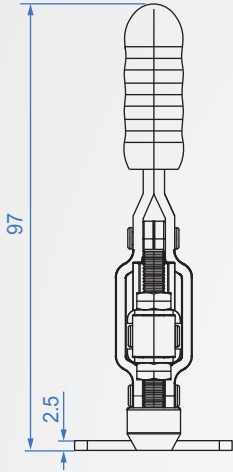


## GH11002-B



### GH11002-B

Material : SS400 Finish : Zinc plated

單位 : mm

Code No.	Clamping pressure (kg)	weight (g)	Handle movement	Chuck movement	Front end fitting
GH11002-B	75	124	69°	96°	NSA-054008