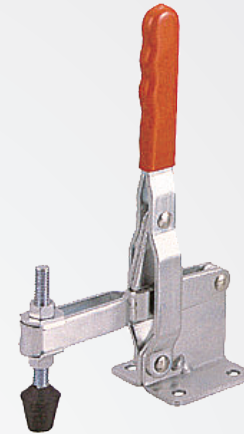
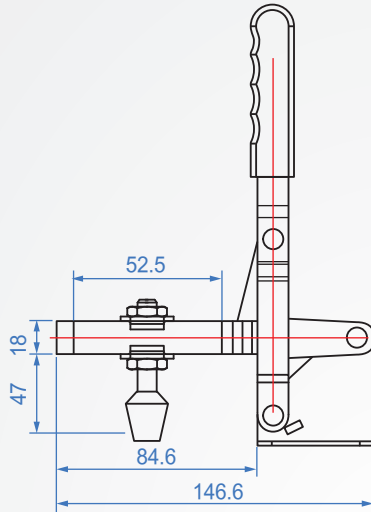
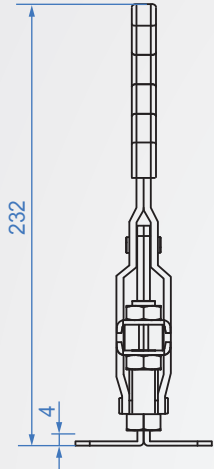
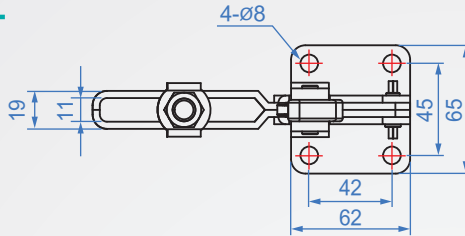


GH101-EL



GH101-EL

Material : SS400 Finish : Zinc plated

unit : mm

Code No.	Clamping pressure (kg)	weight (g)	Handle movement	Chuck movement	Front end fitting
GH101-EL	360	838	60°	90°	NFC-38312