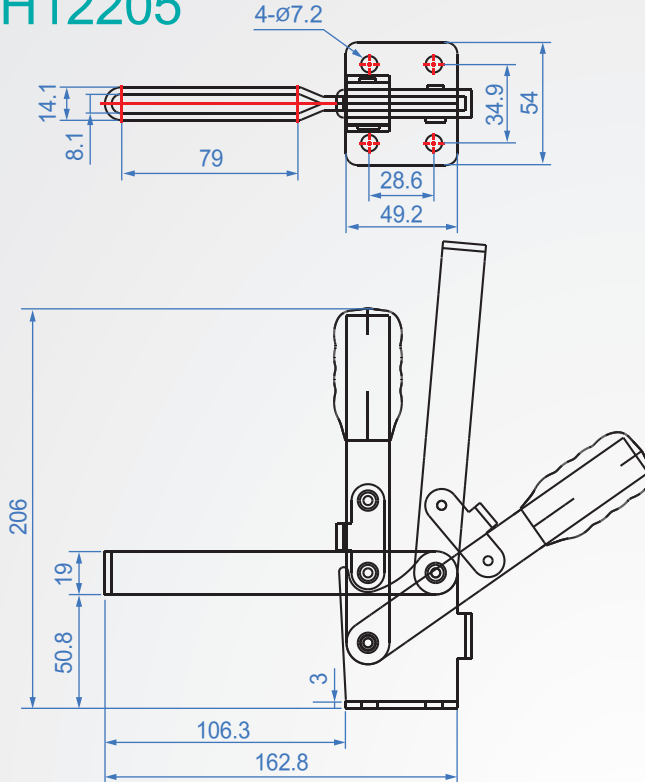


GH12205



GH12205

Material : SS400 Finish : Chrome plated

unit : mm

Code No.	Clamping pressure (kg)	weight (g)	Handle movement	Chuck movement	Front end fitting
GH12205	182	602	57°	101°	NFC-56212(Rubber)