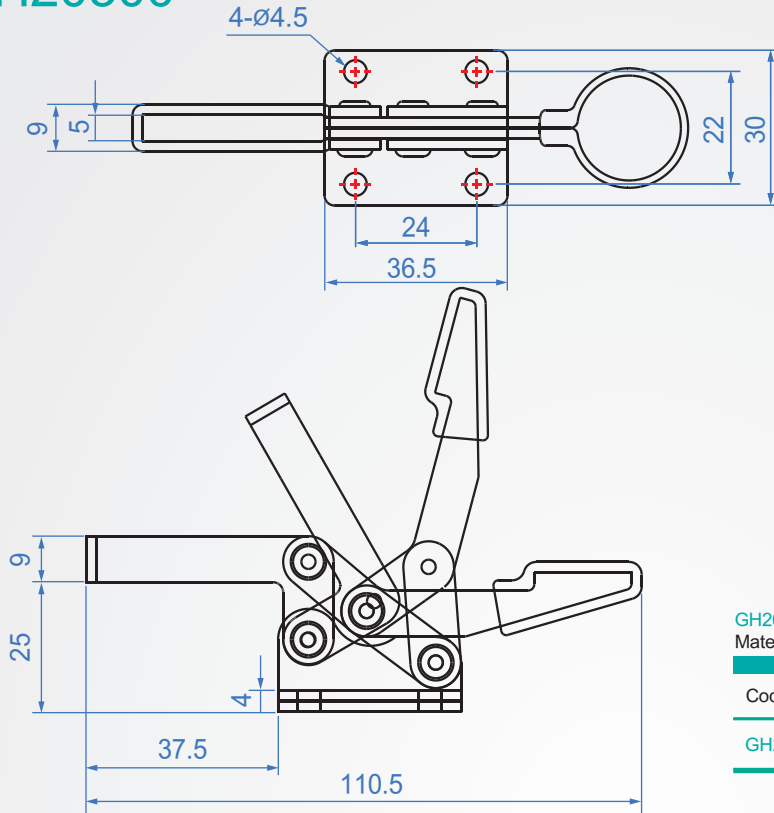


## GH20300



### GH20300

Material : SS400 Finish : Chrome plated

unit : mm

Code No.	Clamping pressure (kg)	weight (g)	Handle movement	Chuck movement	Front end fitting
GH20300	30	102	74°	72°	NSA-044007

1N=0.102kgf