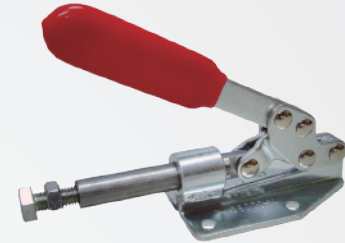
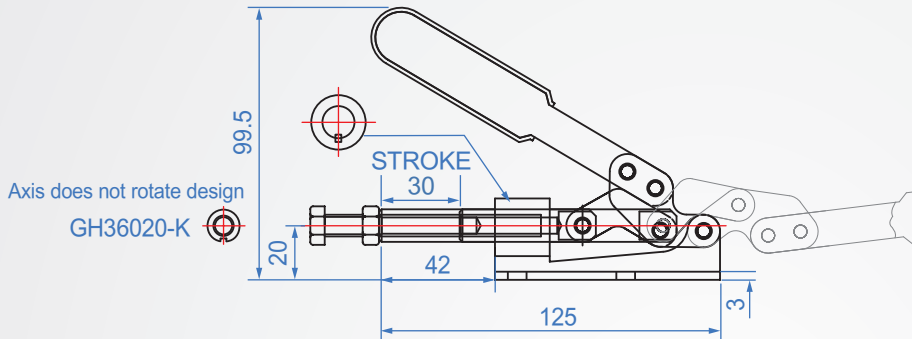
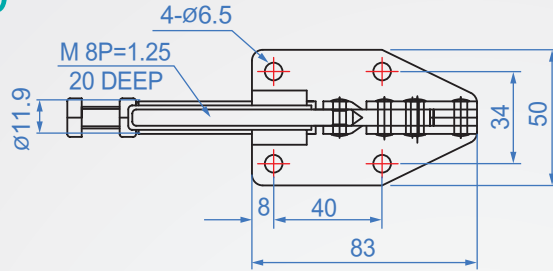


GH36020



GH36020

Material : SS400 Finish : Galvanized

unit : mm

Code No.	Clamping force(kg)	weight(g)	Hadle moving	Chuck moving	Front-end accessories
GH36020	180	374	140°	30	NSA-085012