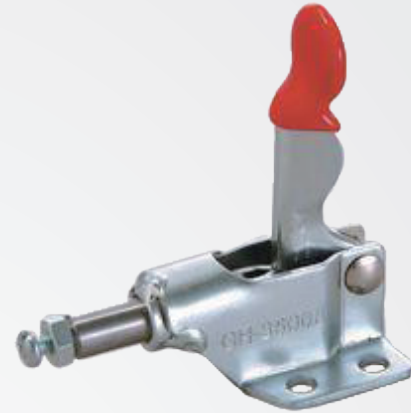
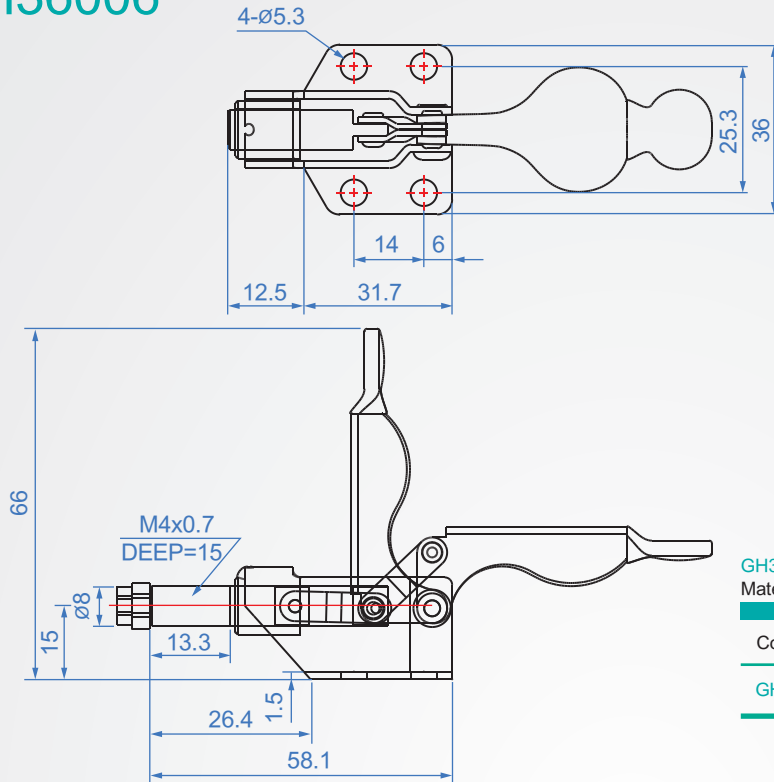


GH36006



GH36006

Material : SS400 Finish : Chrome plated

Unit : mm

Code No.	Clamping force(kg)	weight (g)	Hadle moving	Chuck moving	Front-end accessories
GH36006	50	60	93°	13	NSA-041507