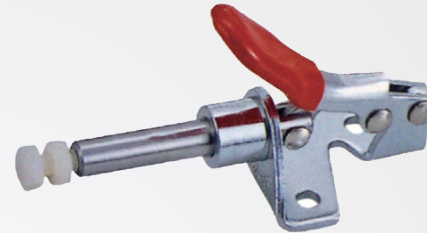
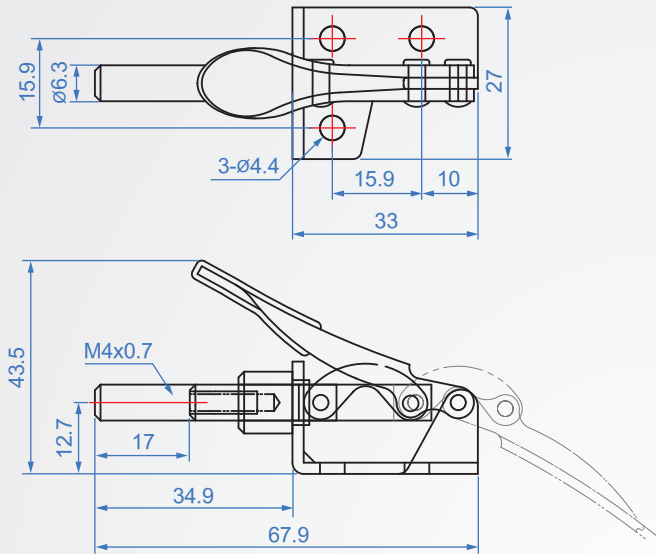


## GH301-AM



### GH301-AM

Material : SS400 Finish : Chrome plated

### GH301-AMSS

Material : SUS304

Unit : mm

| Code No.   | Clamping force(kg) | weight (g) | Hadle moving | Chuck moving | Front-end accessories |
|------------|--------------------|------------|--------------|--------------|-----------------------|
| GH301-AM   | 45                 | 40         | 190°         | 17           | NSA-042007            |
| GH301-AMSS | 45                 | 40         | 190°         | 17           | —                     |