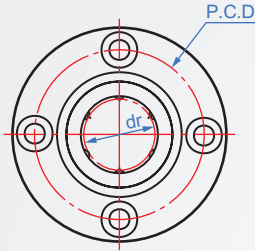


Central flange LM239

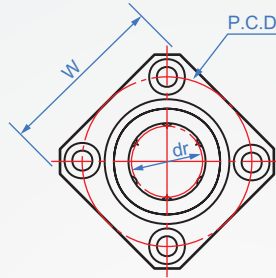
Main part	Steel ball	Holder	Operating temperature	Accessory
SUJ2 HRC58~	SUJ2	Resin	-20~80°C	2-sides dust cover

※Main body electroless nickel is good for antirust.

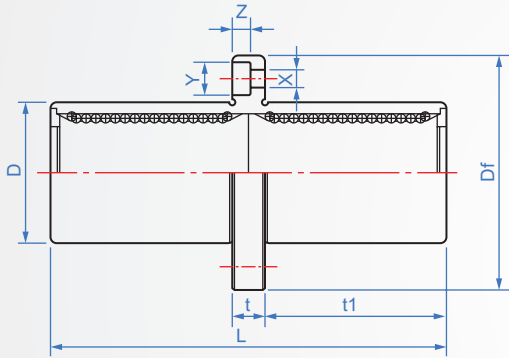
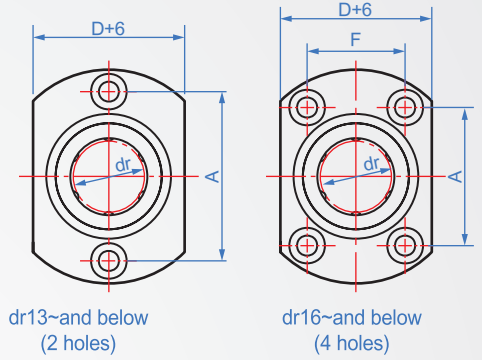
F : Round flange



K : Square flange



H : Double sides flanges



How to order

LM239 - 16L -

TYPE dr

Shape chosen

Round flange..... F

Square flange..... K

Double sides flanges... H

Unit : mm

dr	Tolerance value	Main size			Flange parts										Rated load		Weight(g)				
		D	Tolerance value	L	A	Df	F	P.C.D	t	t1	W	X	Y	Z	Eccentric max.	Straight angle	C(N)	Co(N)	Round	Square	Double sides
6L	+0	12	+0	35	20	28	20	5	15	22	3.5	6	3.1	0.015	0.015	320	520	31	25	28	
8L		15	-0.013	45	24	32			24	20						25	430	780	51	43	47
10L	+0	19	+0	55	29	40	29	6	24.5	30	4.5	7.5	4.1	0.015	0.015	580	1100	98	78	90	
12L		21		-0.01	57	32			42	32						25.5	32	650	1200	110	90
13L	+0	23	+0	61	33	43	33	6	27.5	34	4.5	7.5	4.1	0.015	0.015	810	1570	130	108	123	
16L		28		-0.016	70	31			48	22						38	32	37	1230	2350	190
20L	+0	32	+0	80	36	54	24	43	8	36	42	5.5	9	5.1	0.020	0.020	1400	2750	260	225	247
25L		40		-0.012	112	40	62	32		51	52						50	1560	3140	540	500
30L	+0	45	+0	123	49	74	35	60	10	56.5	58	6.6	11	6.1	0.020	0.020	2490	5490	680	590	645

※Suggest using g6 tolerance guides.

1N=0.12kgf