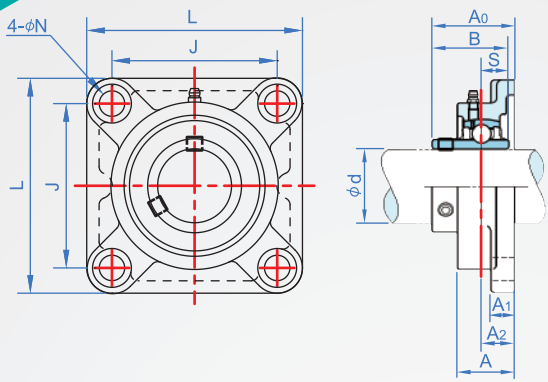


4-Bolt Flange-Steel RN505

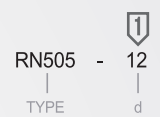


Main part	Bearing	Set screw	Grease nipple	Operating temperature
Cast iron	SUJ2	SCM435	Cu	-10°C~80°C

Bearing NBR rubber seal



How to order



d	Main dimension (mm)										Applicable bolt	Basic rated load (kN)		Quality (g)
	L	A	J	N	A1	A2	A0	B	S	Cr		Cor		
12	86	25.5	64	12	12	15	33.3	31	12.7	M10	12.8	6.6	640	
15	86	25.5	64	12	12	15	33.3	31	12.7	M10	12.8	6.6	620	
17	86	25.5	64	12	12	15	33.3	31	12.7	M10	12.8	6.6	610	
20	86	25.5	64	12	12	15	33.3	31	12.7	M10	12.8	6.6	590	
25	95	27	70	12	14	16	35.7	34.1	14.3	M10	14	7.9	820	
30	108	31	83	12	14	18	40.2	38.1	15.9	M10	19.6	11.3	1100	
35	117	34	92	14	16	19	44.4	42.9	17.5	M12	25.9	15.4	1500	
40	130	36	102	16	16	21	51.2	49.2	19	M14	29.3	17.9	2000	
45	137	38	105	16	18	22	52.2	49.2	19	M14	33	20.5	2400	
50	143	40	111	16	18	22	54.6	51.6	19	M16	35.5	23.2	2500	
55	162	43	130	19	20	25	58.4	55.6	22.2	M16	43	29.4	3400	
60	175	48	143	19	20	29	68.7	65.1	25.4	M16	52.5	36.1	4600	

1kgf = 9.8N

Copyright © CHENA INDUSTRIAL CO.,LTD ALL RIGHTS RESERVED.